

462

Slim-line Infrared Thermometer

Our new 462 Slim-line is a non-contact infrared thermometer. Within a half second you can accurately measure surface temperatures. The LCD backlight allows you to take temperature readings in low light areas. The 462 Slim-Line has an ergonomic comfort fit in the hand and an easy to use single button operation.

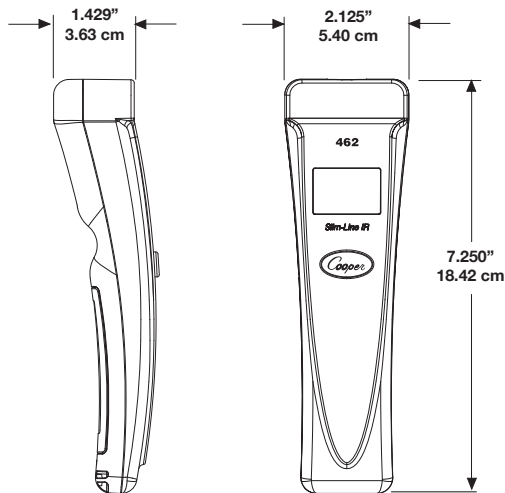


The 462 Slim-Line replaces infrared thermometer Models 460 and 461

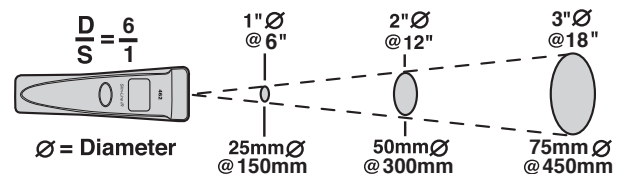
Specifications

- Measurement Range: -40° to 536°F (-40° to 280°C)
- Resolution: 0.1° F / C
- Accuracy: [Assumes Ambient Operating Temperature of 69° to 77°F (21° to 25°C)]
 - Between 32° and 150°F (0° and 65°C): ±2°F (±1°C)
 - Below 32°F (0°C): ±2°F (±1°C) ±0.1 Degree / Degree
 - Above 150°F (65°C): ±1.5% of Reading
- °F / °C Switch Located Inside Battery Compartment
- Emissivity: Fixed 0.97
- Distance to Spot: 6:1
- Temperature Sight: Laser Beam
- Automatic Data Hold
- 7 Second Auto Shut-Off
- Single Button Operation
- Backlit LCD
- Wrist Lanyard Included
- Battery: 9 Volt Included
- Unit Weight: 5.1oz (141.8 grams) with Battery and Lanyard
- 1 Year Warranty

- Individually Packaged in a Self-Standing / Hang Mount Clamshell
- Package Dimensions: 12.1" x 6.0" x 2.94" (30.8 x 15.2 x 7.5 cm)
- Package Cube: 0.12



Non-contact means you avoid cross contamination of foods during HACCP temperature verification.



As the distance (D) from the object increases, the spot size (S) of the area measured becomes larger.